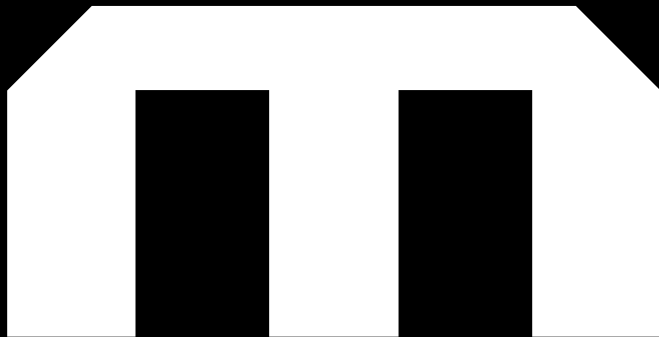
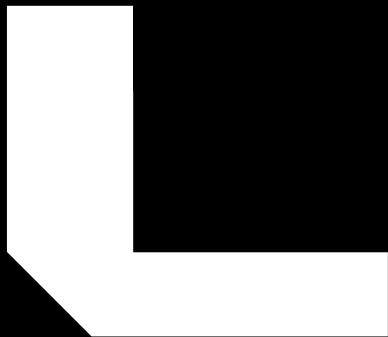


LMEX

L A Z R^{4G}





Find the complete manual online



<https://lm3x.guide/>

Device type L ^ Z R^{4G}



Your Lumiverse Credentials

Device ID

my.lumiverse.com

Login

Password

[Direct Wi-Fi Access](#)

Wi-Fi Password

My New Password



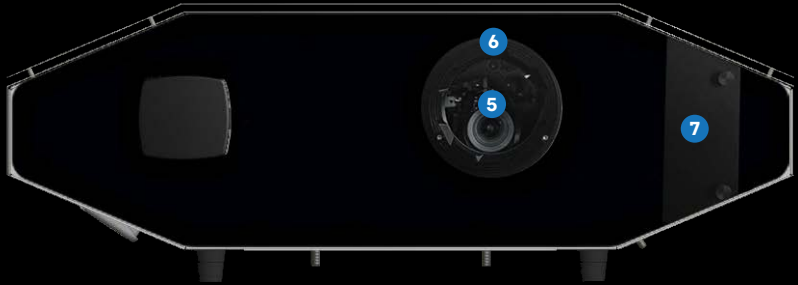
How to Use Your LAZR 4G?

Simply and in a fun way!

Go to the web page <https://lm3x.guide/> and follow the interactive manual. This manual contains an easy set-up guide and will help you configure your LAZR 4G correctly.



Front & Back Panel



1 Power socket

2 Power button

3 Power LED indicator

4 Lumiverse ONLINE indicator

5 Beamer lens

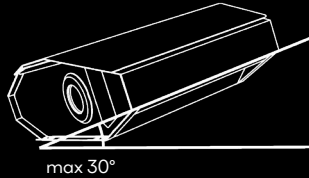
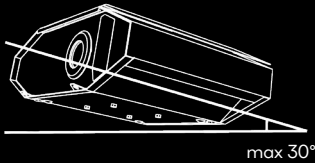
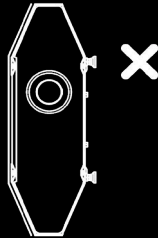
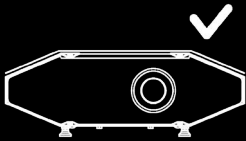
6 Scanner lens (camera)

7 Air filter cover

8 LAN socket



Correct Outdoor Positioning





Technical Data

Input voltage	110 - 230 V ~ 50/60 Hz
Power consumption (max.)	550 W
Standby power consumption(typ.)	30W
Operating temperature (typ.)	-20° ~ +40 °C
Ingress protection	IP43
Overvoltage protection	power supply, LAN, audio
Dimensions (HxWxL)	237 x 538 x 672 mm
Weight	24 kg
Display type	LASER DLP
Brightness	6.000 ANSI/lm
Laser lifespan	20.000 h
Native resolution (px)	1920x1200 (WUXGA)
Aspect ratio	16:10
Throw ratio (lens)	1.2 - 1.9
Camera	5 Mpix
Audio output	2x XLR balanced audio
Shielding	grounded to the chassis
Wireless Control channels	GSM, Wi-Fi, GPS
Lumiverse™ media storage	400 GB

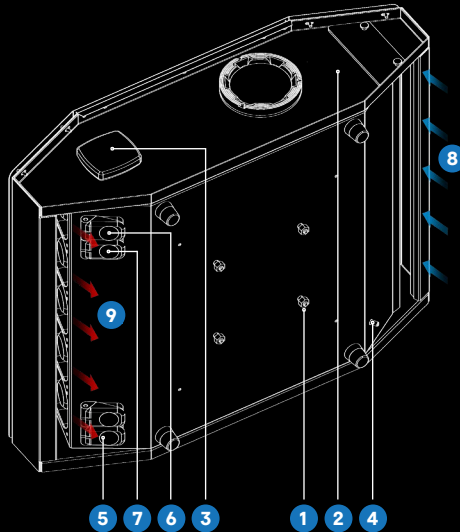


Important Safety Instructions

- The unit must not be exposed to splashing water.
- No leaking objects may be placed above the device.
- This device contains a non-rechargeable lithium battery.
- Failure to read and follow the below specified instructions may result in fire, personal injury, or damage to property.
- Do not cover device while it is running.
- Do not place anything inside of the device.
- The device must be grounded via a grounded power cable using a grounded cable and the device grounding point.
- Always use the device in an electrical circuit that is protected against short circuit by a 16A circuit breaker with B or C characteristic.
- Do not install near any heat sources such as radiators, heat registers, stoves, or other devices (including amplifiers) that produce heat.
- Installation of the equipment should be supervised by an electrician, who will also verify the correct connection grounding and appropriate IP protection of the components outside the device.
- Protect the power cord from being stepped on or pinched particularly at plugs. Be sure that the power outlet is located near the unit so that it is easily accessible.
- Only use attachments/accessories specified by the manufacturer.
- Use only with a cart, stand, tripod, bracket, or table specified by the manufacturer or sold with the unit. When a cart is used, use caution when moving the cart/unit combination to avoid injury from tipping over.
- Unplug this unit when unused for long periods of time.
- Refer all servicing to qualified service personnel. Servicing is required when the unit has been damaged in any way, such as: if power plug is damaged, if liquid is spilled onto or objects fall into the unit, or if the unit does not operate normally or has been dropped.
- Do not place this projector on a blanket, bedding, or any other soft surface.
- Do not cover this projector with a cloth or any other item.
- Do not place inflammables near the projector.
- Do not place this projector in locations near fire alarms.
- Do not place this projector in a space that is poorly ventilated or confined. Allow at least 50 cm clearance from walls and free flow of air around the projector.



Device Description



1 Fixture attachment points x 4

2 WiFi antenna

3 GNSS/LTE antenna

4 Grounding point

5 XLR audio connectors

6 nanoSIM connector

7 USB connector (only for service use)

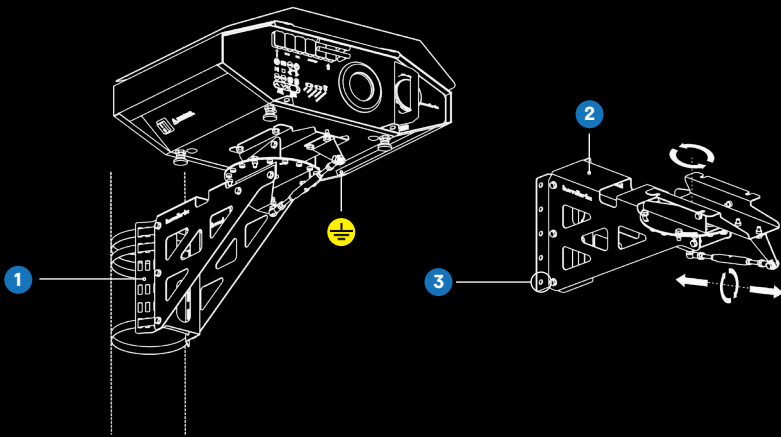
8 Air intake

9 Air exhaust



Attachment System

Your LAZR series projector is supplied with an attachment system (optional). There are two interchangeable mounts, one for the wall and one for the post installation. Make sure that you use a sufficient fixture and always think **SAFETY FIRST!**



- 1 Post Fixture Mount
- 2 Wall Fixture Mount
- 3 Use Screw M8x16 / 16 Nm (x 6)



Always use sufficient grounding protection attached to the grounding screw



Safety Instructions

- The LAZR 4G projector is weather protected (IP43) and can operate outdoors within a operating temperature range of $-20^{\circ}\text{C} < > +40^{\circ}\text{C}$.
If the environment temperature exceeds the allowed limit, the projector will stop displaying content and shut itself down. The projector will resume working when the temperature falls back within the operating range.
- Do not turn off the device if the temperature drops below -15° .
- The projector's laser unit produces an extensive amount of excessive heat, therefore there are large ventilation openings on the bottom of the machine, AIR INTAKE and AIR EXHAUST. Always ensure that the ventilation openings are not blocked by any objects, which could cause your projector to easily overheat.
- Your LAZR 4G projector can be operated outdoors as long as it is always positioned horizontally within the allowed angles (see page 6).
- Always use sufficient ground protection attached to the grounding screw to prevent electric shock risk!
- Do not cover the device while it is running as it may cause it to overheat.
- ALWAYS REMOVE THE PROTECTIVE LENS CAP from the lens before you turn your projector ON!
- Do not use the device when it is damaged and do not try to dismantle it.
There is a risk of electric shock!
- Do not use any damaged cables!
- The projector is equipped with IP67 plug, ensure that you use a compatible plug or any power connector suitable for outdoor use.
- The projector is a heavy machine, therefore always install it carefully and ensure it is securely fastened. Avoid installing the device in places where falling may cause injury!
- Ensure there are no objects closer than 1 m in the projector light cone.
Strong light might cause fire!
- Aiming the projector towards the sun may cause fire, or damage DLP unit.
- Do not look into the projector lens while the lamp is on! The intense light beam may damage your eyes.
- Install the projector carefully so you do not blind passers-by with strong light!
- Do not step on the projector or place any objects on top of it. Besides probable physical damage to the projector, doing so may result in accidents or possible injury.



LASER Safety Instructions

- As with any bright light source, do not stare into the beam, RG2 IEC 62471-5:2015.



- This symbol indicates that there is a potential hazard of eye exposure to laser radiation unless the instructions are closely followed.



This Laser Product is designated as Class 3R during all procedures of operation.
LASER LIGHT - AVOID DIRECT EYE EXPOSURE.
Do not point laser or allow laser light to be directed or reflected toward other people or reflective objects.
Direct or scattered light can be hazardous to eyes and skin.



There is a potential hazard of eye exposure to laser radiation if the included instructions are not followed.
Caution – use of controls or adjustments or performance of procedures other than those specified herein may result in hazardous radiation exposure.

Laser parameters:

- Wavelength: 450nm - 460nm (Blue)
- Mode of operation: Pulsed, due to frame rate
- Pulse width: 1.34ms
- Pulse repetition rate: 120Hz
- Maximum laser energy: 0.698mJ
- Total internal power: >100w
- Apparent source size: >10mm, at lens stop
- Divergence: >100 mili Radian



Power Management

- The projector is equipped with an automatic dehumidification system to prevent any damage caused by moisture.
- Once installed outdoors, it is important to keep the projector ON and connected to a reliable permanent power source!
- If a blackout occurs, the projector will wake up and continue playing the show automatically once the power source has been restored.



LED Indications

LUMI Logo Indication

- Shining - on-line (connected to internet).
- Not shining - off-line, connection to the internet has been lost (this is always the case a few moments after a start/restart).

Color LED Status

- Not shining - device is off
- White pulsing - Wait, your device is booting, shutting down, or loading. Wait. Do not unplug from electricity!
- White shining - device is on and ready.
- Green pulsing - waiting for the projector lamp to heat up / cooldown.
- Green shining - media is currently playing.
- Yellow pulsing - temperature too warm or ventilation blocked. Wait for cooldown.
- Red shining - check cables. See troubleshooting.
- Red pulsing - factory reset is in progress, do NOT unplug the device from power.



Connectors Matching

To maintain functional IP protection, use only with these Neutrik® connectors:

POWER connector:

NAC3FX-W-TOP (1 pcs. included)

LAN connector:

NE8MC6-MO

AUDIO connector:

NC3FXX-HD-D



Maintenance

Laser

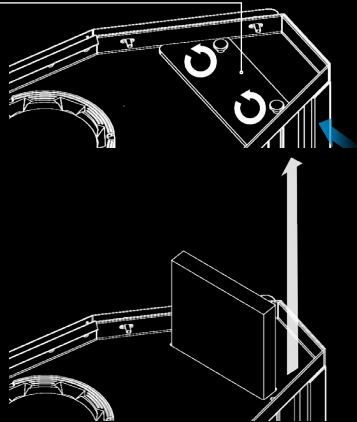
Laser lifespan is 20,000 hours. See, for how many hours has your laser been used in Lumiverse UI Settings/Advanced/Sensors

Lens

Dirt on the projector lens may affect the light show quality and the scanner results. Clean with a regular soft glass cleaning cloth. Use a screwdriver to remove the lens for cleaning.

Air Filter

The LAZR 4G projector is equipped with an interchangeable air filter. We recommend replacing the air filter once a year. In dusty environment replace the filter more often.





Troubleshooting

In case a projector malfunction occurs, try the following steps:

Reboot

In order to resolve a malfunction issue, try the REBOOT command from the POWER BUTTON menu in the Lumiverse UI

Turn Off and Turn On

Lumiverse UI offline? Turn the projector OFF by pressing the power button to turn off the device immediately. If it does not work, pull the power cord out of the machine and reconnect. Disconnect and reconnect the power connector even if you are unable to turn on the projector.

Factory Reset

The factory reset will erase some of your data and restore the system to its factory settings. Turn the device OFF and wait for 5 seconds. Turn the device ON and hold down the power button until the LED indicator turns red.

Didn't help? Contact our support!



Support

support@lm3x.com



Software Upgrade

LM3X.com company is constantly developing new features, upgrades, security systems, and bug fixes.

Information about new updates can be found in Lumiverse™ and will be installed on your device at your request.



Declaration of Conformity

Hereby declare that:

Product: OUTDOOR PROJECTOR
Product family: T
Machine Type: T4



Is compliant with the essential requirements and any other relevant provisions of the following EC directives, and that all the necessary steps have been taken and are in force to assure that the production units of the same product will continue to comply with the above specified requirements.

ELECTRICAL SAFETY TEST

The following regulations have been used:
EN 62368-1:2014 + AC:2015-05 + A11:2017

ELECTROMAGNETIC COMPATIBILITY TEST

The following regulations have been used:

EN 55024:2010
EN 55032:2015
EN 61000-3-2:2014
EN 61000-3-3:2013
EN 61000-4-2:2008
EN 61000-4-3:2006 +A1:2007 +A2:2010
EN 61000-4-4:2012
EN 61000-4-5:2014
EN 61000-4-6:2014
EN 61000-4-11:2004



Declaration of RoHS2 Compliance

Product: OUTDOOR PROJECTOR
Trade Name: LUMITRIX
Machine Type: T4



This product has been designed and manufactured in compliance with Directive 2011/65/EU of the European Parliament and the Council on restriction of the use of certain hazardous substances in electrical and electronic equipment (RoHS2 Directive) and is deemed to comply with the maximum concentration values issued by the European Technical Adaptation Committee (TAC) as shown below:

Substance	Proposed Maximum Concentration	Actual Concentration
Lead (Pb)	0.1%	< 0.1%
Mercury (Hg)	0.1%	< 0.1%
Cadmium (Cd)	0.01%	< 0.01%
Hexavalent Chromium (Cr6+)	0.1%	< 0.1%
Polybrominated biphenyls (PBB)	0.1%	< 0.1%
Polybrominated diphenyl ethers (PBDE)	0.1%	< 0.1%

Certain components of products as stated above are exempted under the Annex III of the RoHS2 Directives as noted below:

Examples of exempted components are:

- Mercury in cold cathode fluorescent lamps and external electrode fluorescent lamps (CCFL and EEFL) for special purposes not exceeding (per lamp):
 - Short length (≤ 500 mm): maximum 3.5 mg per lamp.
 - Medium length (> 500 mm and $\leq 1,500$ mm): maximum 5 mg per lamp.
 - Long length ($> 1,500$ mm): maximum 13 mg per lamp.
- Lead in glass of cathode ray tubes.
- Lead in glass of fluorescent tubes not exceeding 0.2% by weight.
- Lead as an alloying element in aluminium containing up to 0.4% lead by weight.
- Copper alloy containing up to 4% lead by weight.
- Lead in high melting temperature type solders (i.e. lead-based alloys containing 85% by weight or more lead).
- Electrical and electronic components containing lead in a glass or ceramic other than dielectric ceramic in capacitors, e.g. piezoelectronic devices, or in a glass or ceramic matrix compound.



Cellular network

LAZR 4G is made with two types of cellular network receiver.
The type of modem used in your device is indicated on the side of the device.

If you use your device in a different location than what your machine is configured for, you may experience problems connecting your device using the cellular network.

CELLULAR NETWORK - E:

Variant for EMEA/Brazil/APAC

- LTE-FDD: B1/B3/B5/B7/B8/B20/B28/B32
- LTE-TDD: B38/B40/B41
- 2×CA: B1+B1/B5/B8/B20/B28;
B3+B3/B5/B7/B8/B20/B28;
B7+B5/B7/B8/B20/B28;
B20+B32; B38+B38; B40+B40; B41+B41
- WCDMA: B1/B3/B5/B8

CELLULAR NETWORK - A:

Variant for America/Canada/Mexico/Argentina

- LTE-FDD: B2/B4/B5/B7/B12/B13/B25/B26/B29/B30/B66
- 2×CA: B2+B2/B5/B12/B13/B26/B29;
B4+B4/B5/B12/B13/B26/B29;
B7+B5/B7/B12/B13/B26/B29;
B25+B5/B12/B13/B25/B26/B29;
B30+B5/B12/B13/B26/B29;
B66+B5/B12/B13/B26/B29/B66
- WCDMA: B2/B4/B5

Notes:

LM3X

info@lm3x.com

www.lm3x.com

© 2021



Device ID